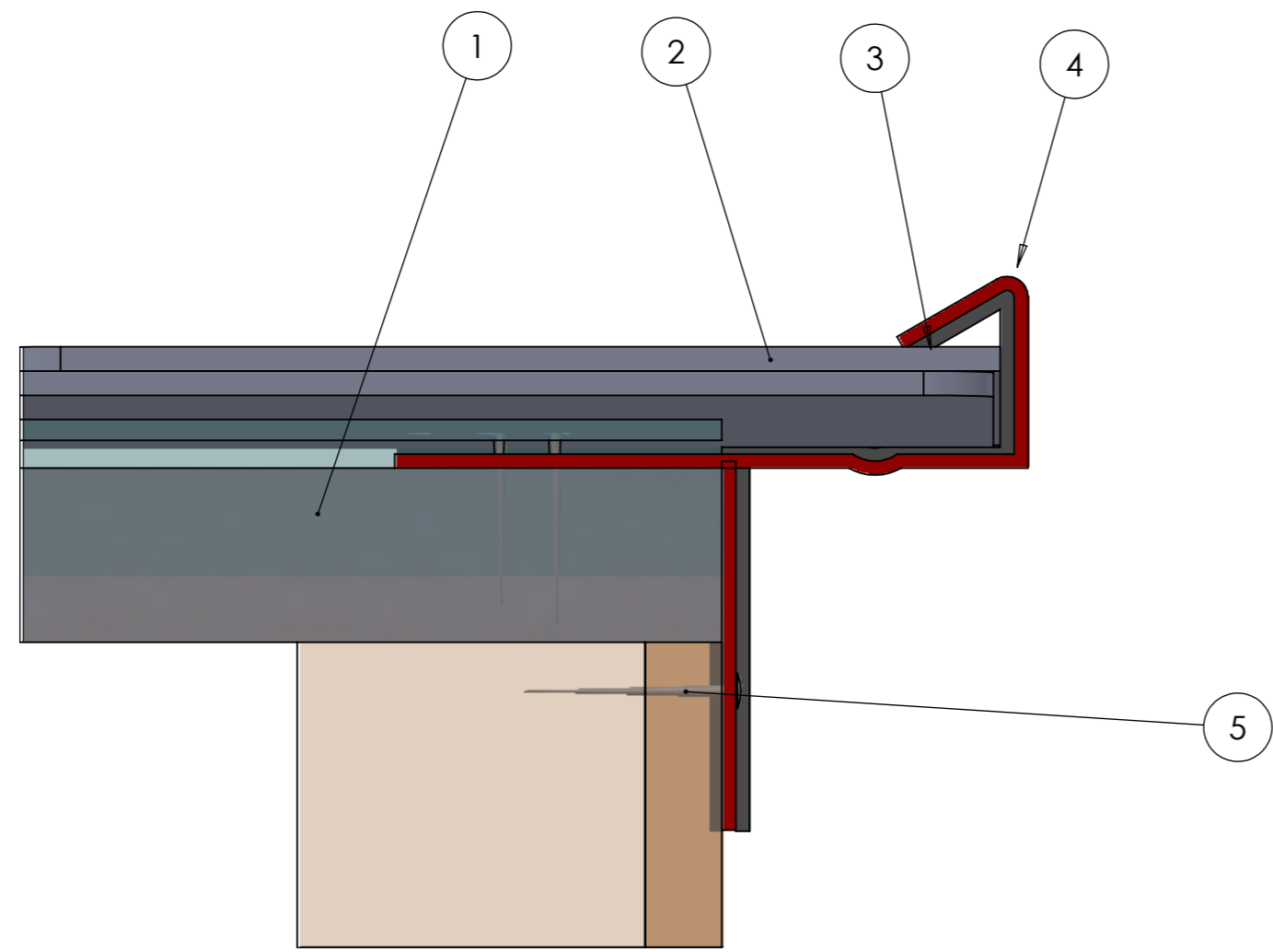
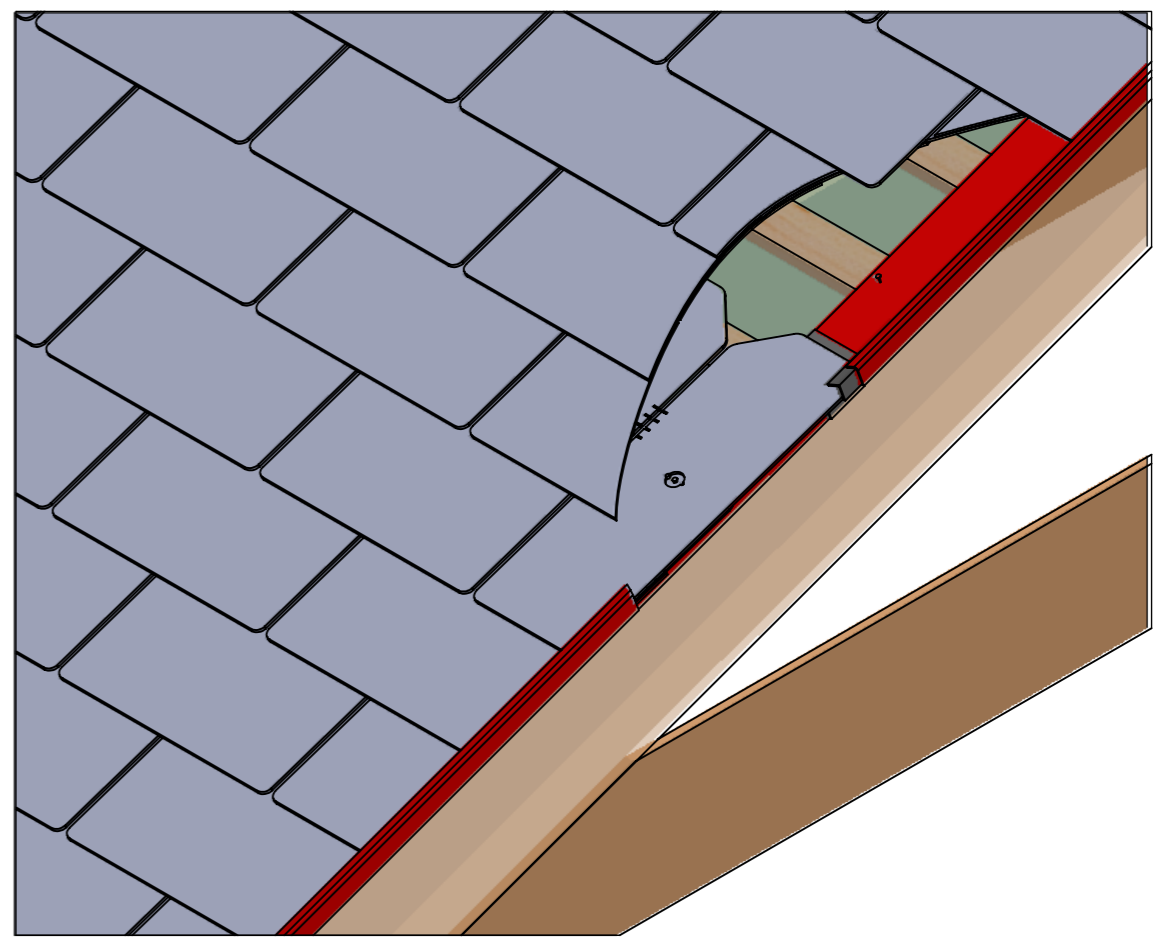


ITEM	DESCRIPTION	DETAIL
1	Tile batten	50x25mm
2	Lite slate	
3	Continuous dry verge connector	
4	Continuous dry verge	
5	Tile panel Nail/Screw	Into wall



BRITMET
 LIGHTWEIGHT ROOFING
 Britmet Tileform Ltd
 Kingfisher House, Unit 17
 Overthorpe Road, Banbury, OX16 4SX

DO NOT SCALE DRAWING	REVISION
TITLE: Liteslate barge detail	
DWG NO. LS-Bar-001-A	
SCALE: DNS	SHEET 1 OF 1

NAME	DATE	MATERIAL:
DRAWN		
CHK'D		

A3